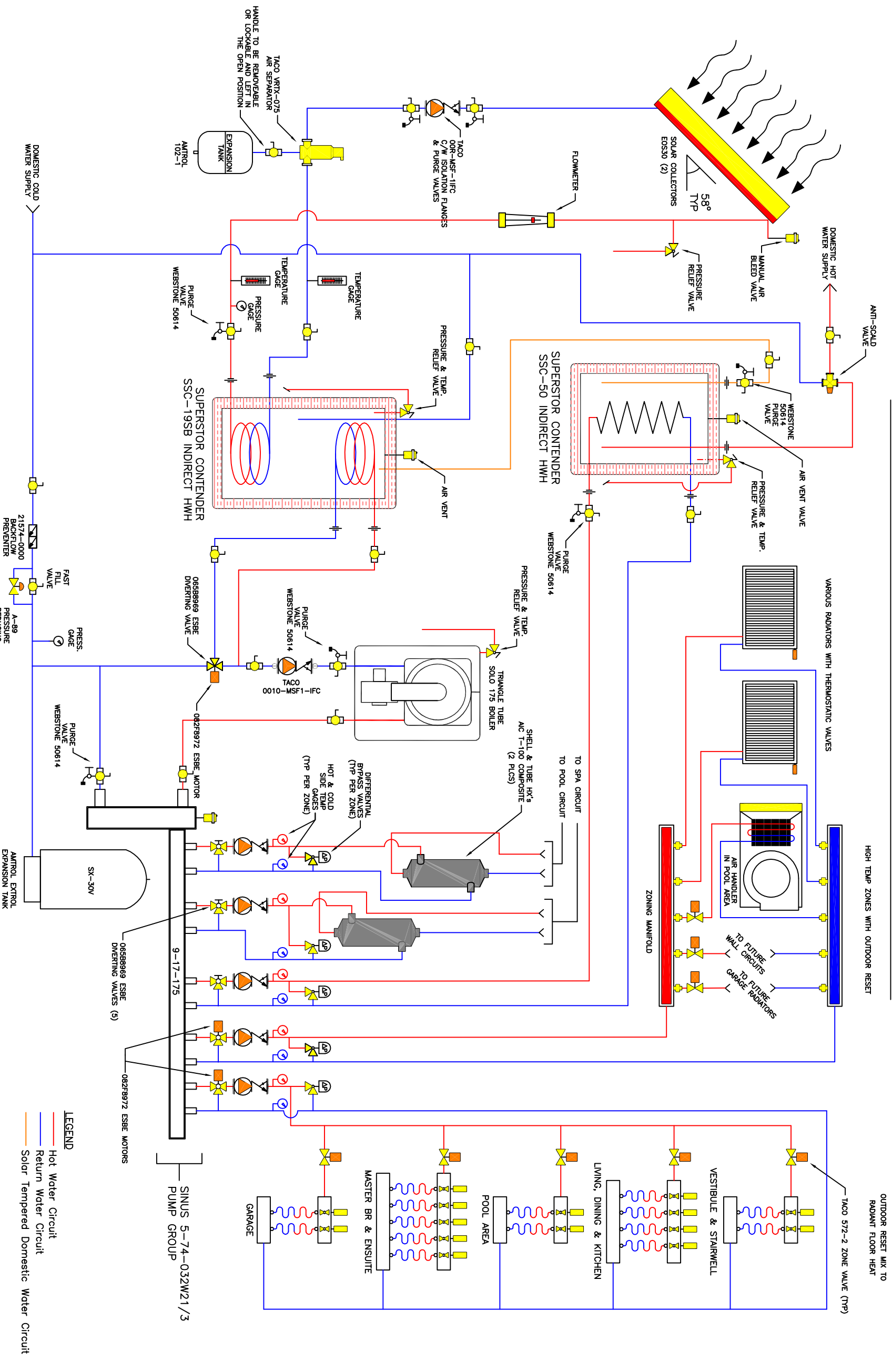


Hydronic Heating System Layout



NOTES:

- 1) Drawing illustrates system piping concept only. Installer to meet requirements of local codes and to follow equipment manufacturers' recommendations.
- 2) Header piping to be sized for a maximum flow velocity of 2 ft./sec.
- 3) All branch piping to be sized for a maximum flow velocity of 4 ft./sec.
- 4) All circulators and check valves must have a minimum of 12 pipe diameters upstream.
- 5) Each closed circuit to contain purging valves as appropriate.

<p>THIS DRAWING IS THE EXCLUSIVE PROPERTY OF HYDRONIC SOLUTIONS INC. AND IS NOT TO BE USED OR DISCLOSED WITHOUT THE PRIOR WRITTEN PERMISSION OF HYDRONIC SOLUTIONS INC.</p>		<p>DMN. S.L. DATE 08/11/08</p>	<p>ENG. S.L. DATE 08/11/08</p>	<p>CHMD. DATE</p>	<p>APPR. DATE</p>	<p>REL. DATE</p>	<p>FILENAME M1024</p>	<p>B/M NO.</p>	<p>TITLE Hydronic Heating System Layout</p>	<p>HYDRONIC SOLUTIONS INC. 7201 LINE 86, RR#3 WALLENSTEIN, ON, NOB 2S0</p>	<p>DMG. NO. M1024</p>	<p>SCALE: NTS</p>	<p>SHEET 1 OF 1</p>
---	--	--------------------------------	--------------------------------	-------------------	-------------------	------------------	-----------------------	----------------	---	--	-----------------------	-------------------	---------------------